

### ELECTRICAL MECHANICAL SPECIFICATIONS

#### Power supply

- 220 - 240V 50Hz
- 200 - 220V 60Hz

#### Lamp

Meta halide with special built-in power supply.

- Type: HMI 1200W
  - Cap: SFc 15.5-6
  - Colour temperature: 6000 K
  - Luminous flux: 110000 lm
  - Average life: 750 h
- Type: HMI 575W
  - Cap: SFc 10-4
  - Colour temperature: 6000 K
  - Luminous flux: 49000 lm
  - Average life: 750 h

#### Power consumption

- QS-ST/LT HMI 1200:  
1500VA at 230V 50Hz
- BASIC HMI 1200:  
3000VA at 230V 50Hz
- BASIC HMI 575:  
1500VA at 230V 50Hz

#### Motors

N. 4 (BASIC) N. 5 (QS) microstepping motors with full microprocessor control.

### OPTICAL SYSTEM

#### Main optical unit

- Base in diecast aluminium.
- Twin lens condenser.
- High luminous efficiency spherical reflector.

#### Lens unit

##### QS-ST and BASIC

- Standard: 1:2,5/250mm
- Optional: wide angle for insertion inside the projector.

##### QS-LT

Special optics with wide angle lens as standard (manual insertion).

### CONTROL SYSTEMS

#### Channels

- N. 3 control channels (BASIC)
- N. 4 control channels (QS)

#### Inputs

SHADOW QS is set up to accept analog or digital signals from controllers or computers:

- Digital serial input  
RS232/423(PMX) or DMX512
- 0-10V analog input

### CONSTRUCTION FEATURES

#### Safety devices

- Power shuts off automatically in the event of overheating or cooling system failure.
- Power shuts off automatically when cover is opened.

#### Cooling

Forced ventilation cooling system using axial flow fans.

#### Housing

- Extruded diecast aluminium.
- Epoxy powder coated finish.

#### Mounting

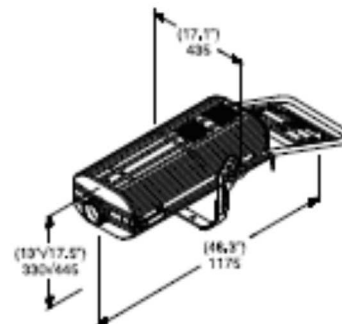
- Steel bracket with epoxy powder coated finish.
- Six installation positions, 25 mm apart.
- Bracket adjustable through 100° with graduated scale for position finding.

#### Operating position

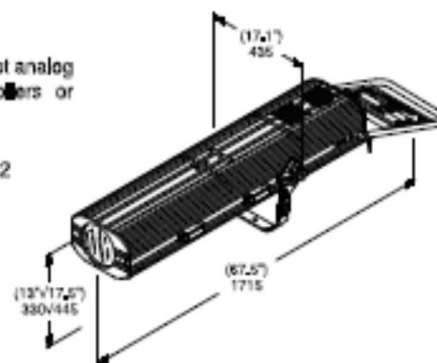
Will function in any position.

#### Weights and Dimensions

- QS-ST HMI 1200: 38 kg ( 83 lbs 10 ozs)
- QS-LT HMI 1200: 49 kg (107 lbs 13 ozs)
- Basic HMI 1200: 38 kg ( 83 lbs 10 ozs)
- Basic HMI 575: 30 kg ( 66 lbs)



SHADOW Basic HMI 575  
SHADOW Basic HMI 1200  
SHADOW QS ST HMI 1200



SHADOW QS-LT HMI 1200